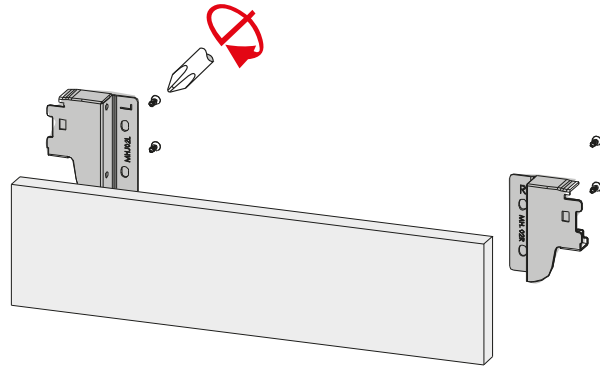
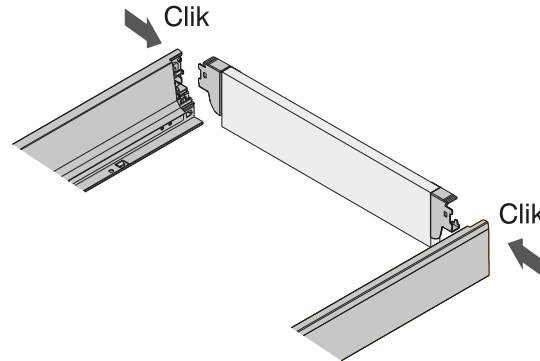




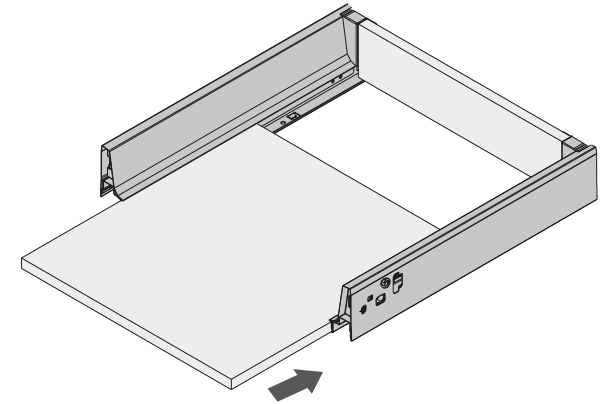
Assembly outline



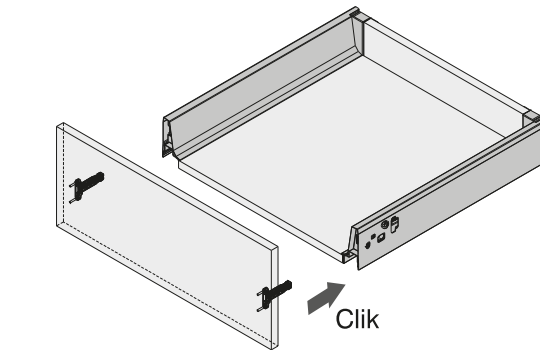
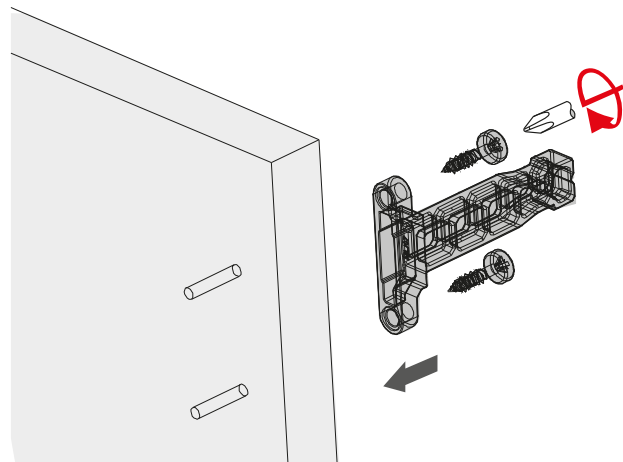
Fit back fixing brackets with a screwdriver.



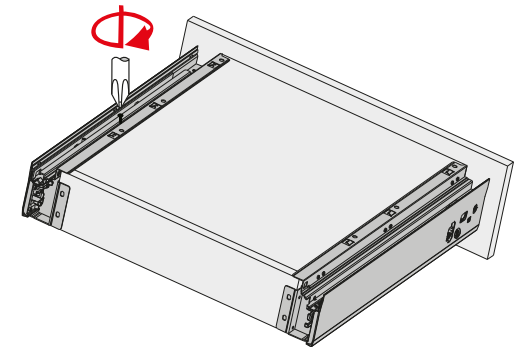
Assemble the drawer back to the sides.



Slide the wood bottom board into position.



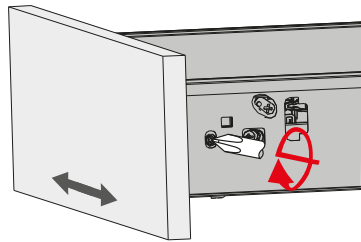
Screw front fixing brackets to the sides.



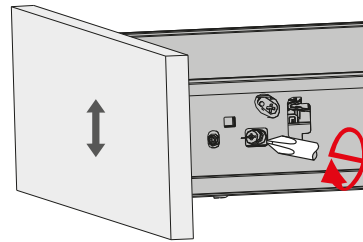
Drill holes and fix screws on the bottom



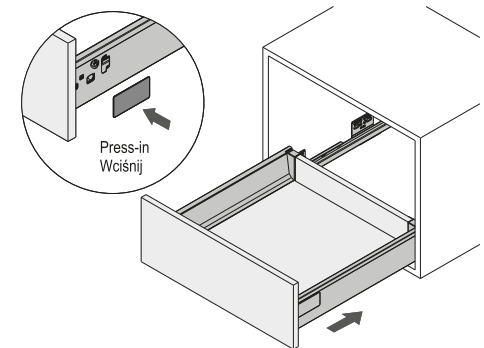
Adjustment



Horizontal adjustment.

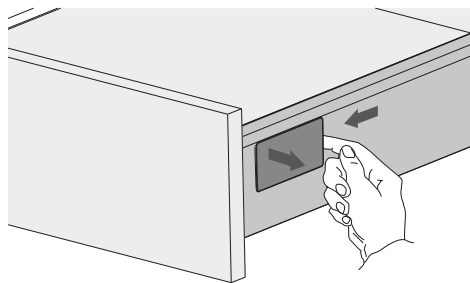


Vertical adjustment.

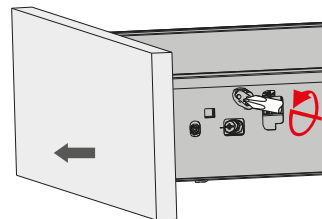


Fit hole caps.

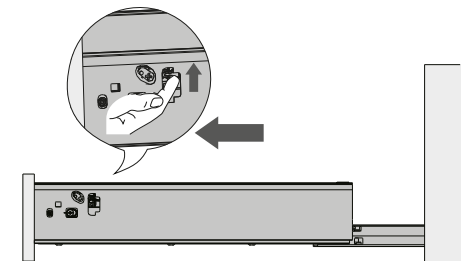
Disassembly



Remove the hole caps.



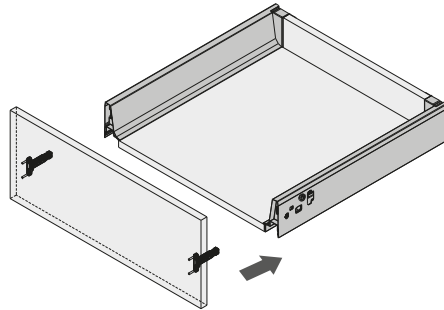
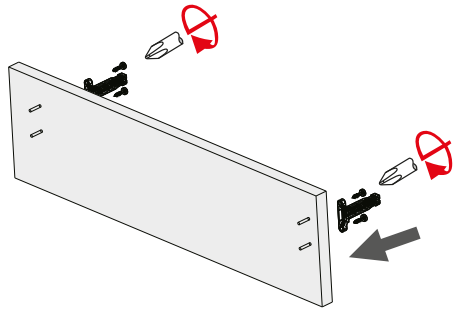
Release the drawer front.



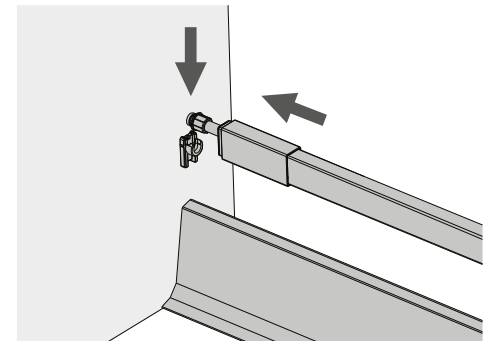
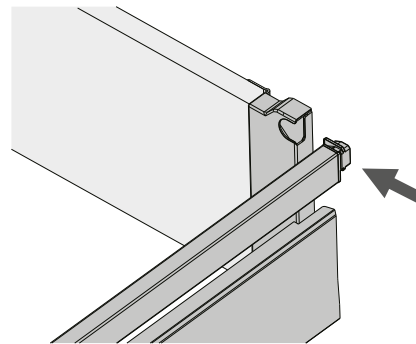
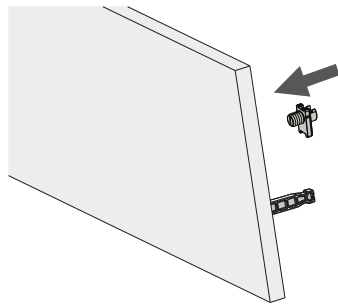
Release the drawer from the slide.

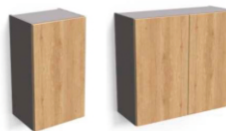


Low drawer

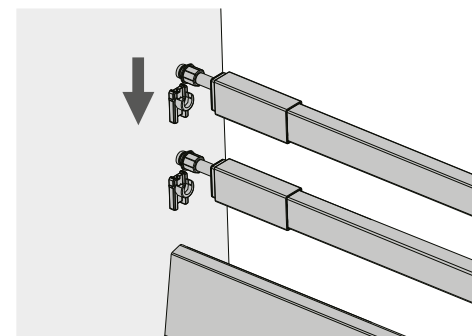
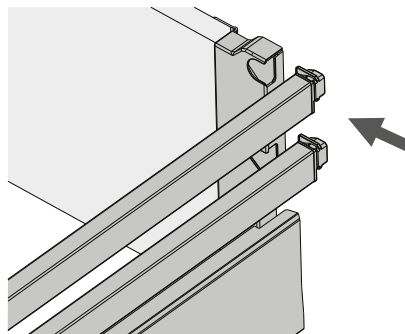
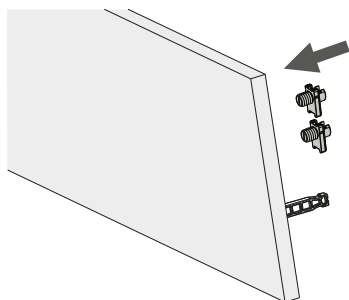


Medium drawer





High drawer



Inner drawer

